

DALI to RS485 Bridge



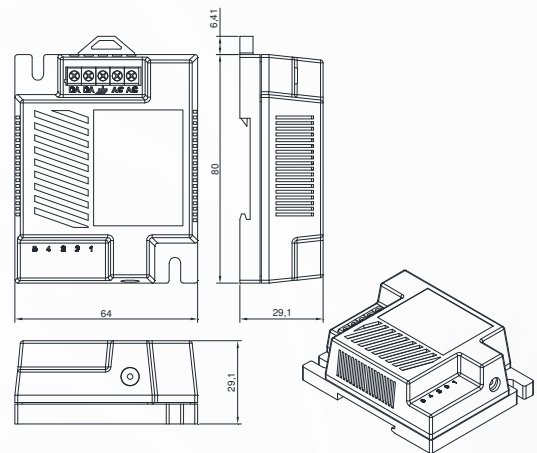
Features

- Bidirectional signal converter between RS485 interfaces and DALI commands.
- Owns unique ID and can support up to 255 linking loops.
- The ID code can be written in via the RS485 interface so that the deployment is easy.
- Simplified wiring process with built-in DALI power.
- DALI output power: DC 16-22V/250mA max.
- Signal output format: 38400bps/8/N/1 for RS485, 1200 bps for DALI.

Applications

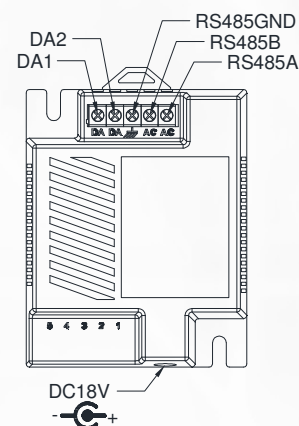
- Can be used in conjunction with ZigBee Coordinator and Router modules.
- Can be controlled via the central control host or the PIR body detector, the control mechanism is selectable.
- Suitable for applying ZigBee control system to the traditional light sources or others electric appliances.
- If used in conjunction with an optional PIR detector, smart control of lighting or electrical appliances can be performed automatically.
- If a burglar software is installed, the light control system can be upgraded to an intrusion detection system.

Dimensions (Unit: mm)



80(W)×64(L)×29.1(H)

Wiring



Model List

Model	Input Power	Operating Temperature	Function
AO-1202A	DC 18V (with Adapter [*])	-10 ~ 70°C	DALI to RS485 converter
AO-1202B	DC 18V (without Adapter)	-10 ~ 70°C	DALI to RS485 converter

^{*}The adapter only offers input AC 110V to output DC 18V.