

DALI to WiFi Bridge



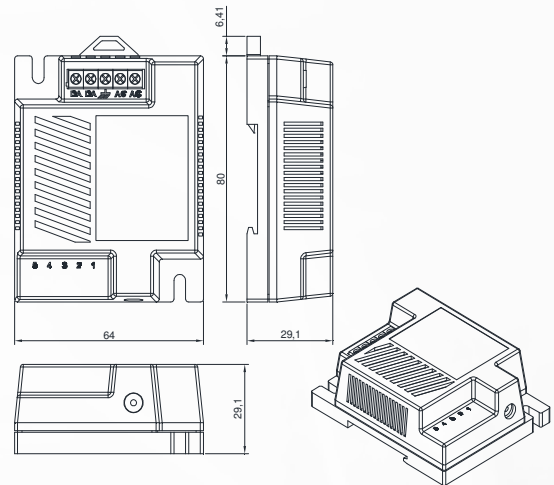
Features

- Bidirectional signal converter between WiFi interfaces and DALI commands.
- Supports WiFi operation in Simple AP(SAP) or Station (In Infrastructure or Ad-Hoc) mode.
- Supports Web browser to set WiFi parameters.
- Supports DC 18V from external power supply.
- Owns unique ID and can support up to 255 linking loops.
- The ID code can be written in via the WiFi interface so that the deployment is easy.
- Simplified wiring process with built-in DALI power.
- DALI output power: DC 16-25V/250mA max.

Applications

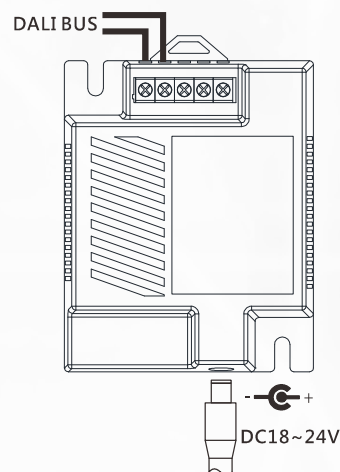
- Can transform signal formats between WiFi and DALI interfaces and is suitable for the deployment of DALI networks.
- Can be used as a signal converter between wireless computer facilities and the DALI network.

Dimensions (Unit: mm)



80(W)×64(L)×29.1(H)

Wiring



Model List

Model	Input Power	Operating Temperature	Function
AO-1203	DC 18V	-10 ~ 70°C	WiFi to DALI signal conversion