

# ZigBee to WiFi Bridge



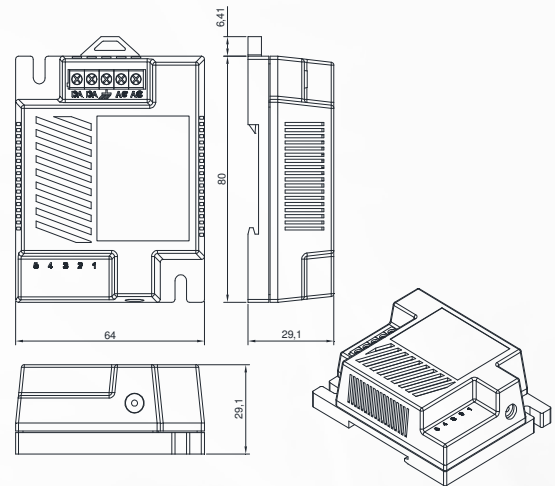
## Features

- Integrated 2.4GHz, AO-1501 ZigBee module and IEEE 802.11b/g compatible WiFi connectivity
- Supports WiFi operation in Simple AP(SAP) or Station (In Infrastructure or Ad-Hoc) mode.
- Supports Web browser to set WiFi parameters.
- ZigBee parameters are set by using AT commands via the WiFi connected interface.
- Defaults as ZigBee coordinator.
- Adjustable ZigBee signal transmission strength within 4.5dBm to -22dBm.
- Integrated PCB antenna. Max outdoor range up to 300m (984 ft.), line of sight(LOS).
- Supports DC 5V from external power supply.

## Applications

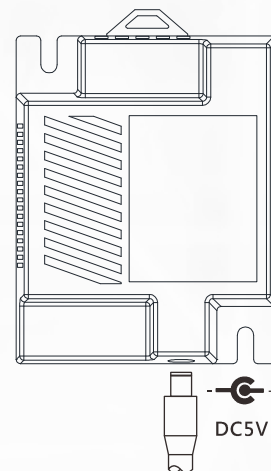
- Can transform signal formats between WiFi and ZigBee interfaces and is suitable for the deployment of ZigBee networks.
- Can be used as a signal converter between wireless computer facilities and the ZigBee network.

## Dimensions (Unit: mm)



80(W)×64(L)×29.1(H)

## Wiring



## Model List

Model	Input Power	Operating Temperature	Function
AO-1209	DC 5V	-10 ~ 70°C	WiFi to ZigBee signal conversion