



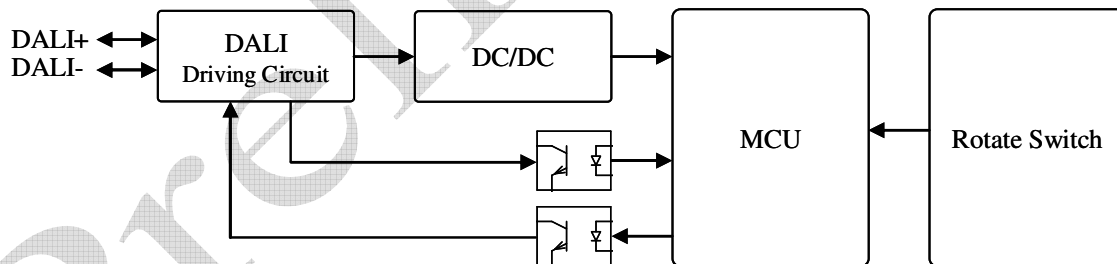
■ Feature:

- Compatible with IEC-62386 spec.
- ON/Off and Dimmer function in a compact package.
- Power by DALI bus.
- Low power consumption
- Support multi unit in same DALI loop.
- Grouping / Broadcast command selectable.
- Easy to install
- Low Cost and High reliability.
- 2 years warranty.

Electrical Specification

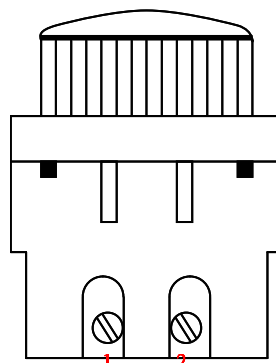
Model Number		AO-1305A
Power	Rated current	2mA
	Voltage Range ¹	11 ~ 22.5V
	Rated Power	< 1W
	Start time	< 2mS
Interface	Input	DALI
	Output	DALI
	Grouping command ²	2 from 16 / broadcast
Operating Conditions	Operating temperature	0 ~ +50°C
	Operating Humidity	20~90% RH · Non-condensing °
	Storage condition	-40 ~ +80°C · 10 ~ 95% RH
	Vibration resistance	10 ~ 500 HZ, 2G 10minutes / Cycle · X、Y、Z axes for 60minutes
Note	1. Power by DALI Bus 2. Grouping command is selected by rotate-dip switch (HEX encoder switch). This function is pre-selected by factory.	

■ Block Diagram



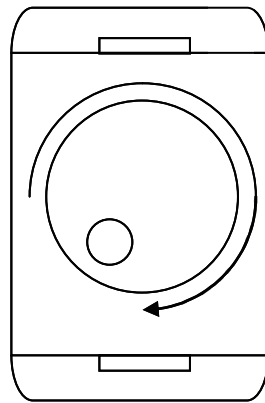
■ Ping Assignment

Pin Number	Pin Function
1	DALI+
2	DALI -

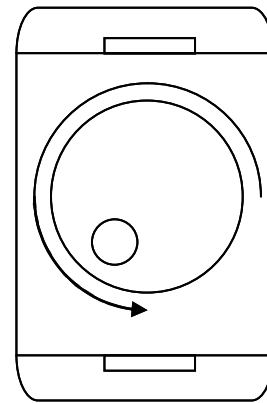


Operating Instruction

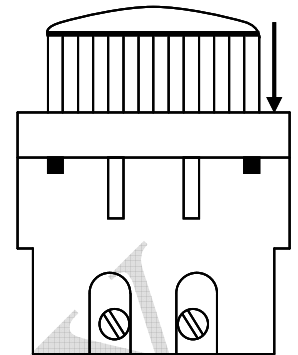
Operation	Function Description
Turn Right	Increase level by 1 step.
Turn Right & Fast	Maximum level.
Turn Left	Decrease level by 1 step.
Turn Left & Fast	Turn OFF.
Quick press	Color tempura select.
Long press	Enable PIR Dimmer.



Turn Right

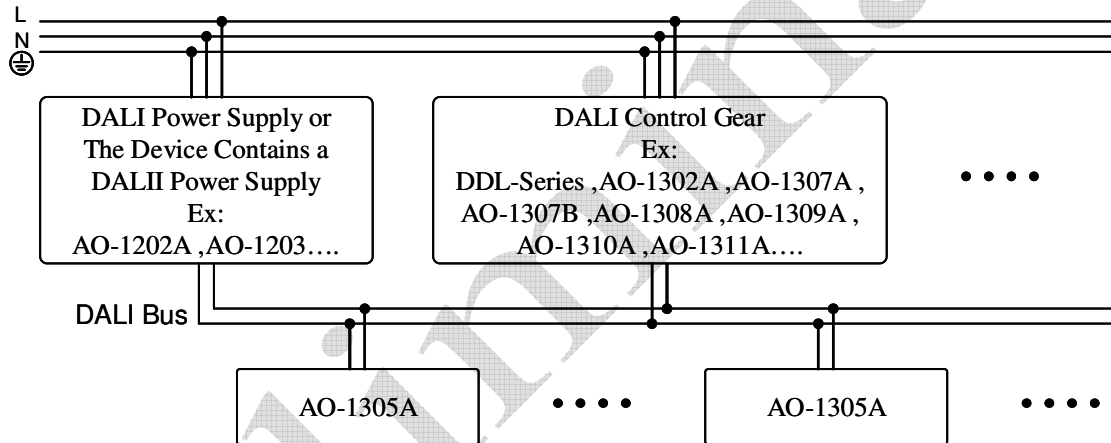


Turn Left



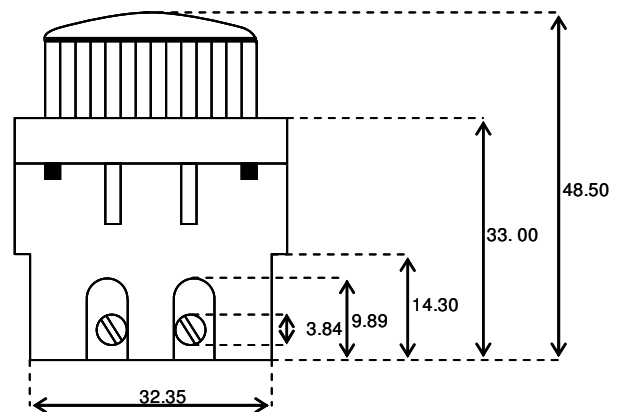
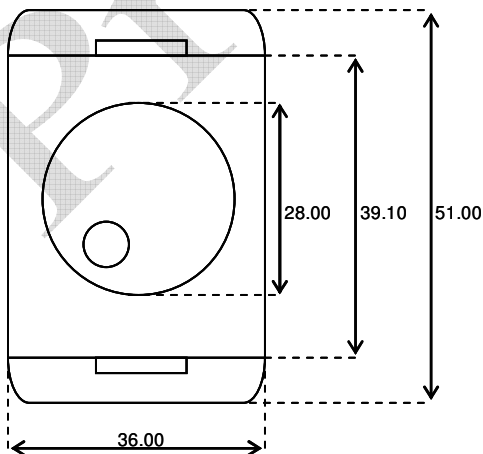
Press Down

Wiring



Dimension

Model Number : AO-1305A Unit : mm





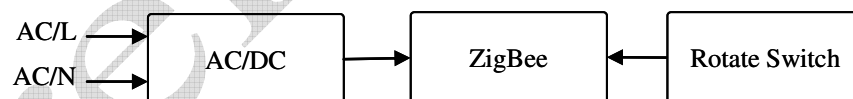
■ Feature:

- International universal AC input(90~240Vac).
- ON/Off and Dimmer function in a compact package.
- Low power consumption
- Support multi unit in same loop.
- Easy to install
- Low Cost and High reliability.
- 1 years warranty.

Electrical Specification

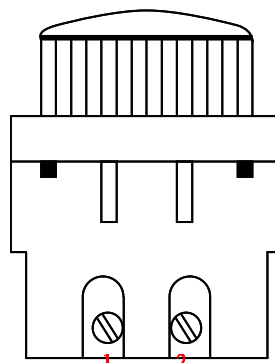
Model Number		AO-1306
Power	Rated current	5mA
	Voltage Range	90 ~ 240V
	Rated Power	< 1W
	Start time	< 2mS
Interface	Input	DALI
	Output	DALI
	Grouping command ¹	2 from 16 / broadcast
Operating Conditions	Operating temperature	0 ~ +50°C
	Operating Humidity	20~90% RH · Non-condensing °
	Storage condition	-40 ~ +80°C · 10 ~ 95% RH
	Vibration resistance	10 ~ 500 HZ, 2G 10minutes / Cycle · X、Y、Z axes for 60minutes
Note	1. Grouping command is selected by rotate-dip switch (HEX encoder switch). This function is pre-selected by factory.	

■ Block Diagram



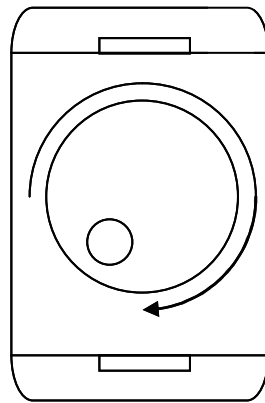
■ Ping Assignment

Pin Number	Pin Function
1	AC L
2	AC N

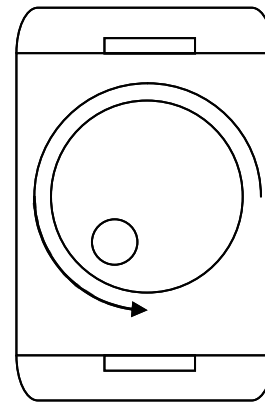


Operating Instruction

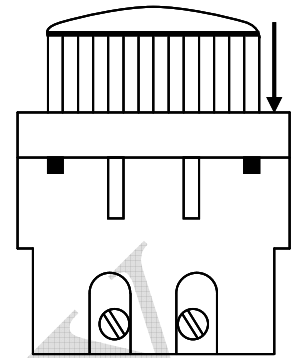
Operation	Function Description
Turn Right	Increase level by 1 step.
Turn Left	Decrease level by 1 step.
Quick press	Color tempura select.
Long press	Enable PIR Dimmer.



Turn Right

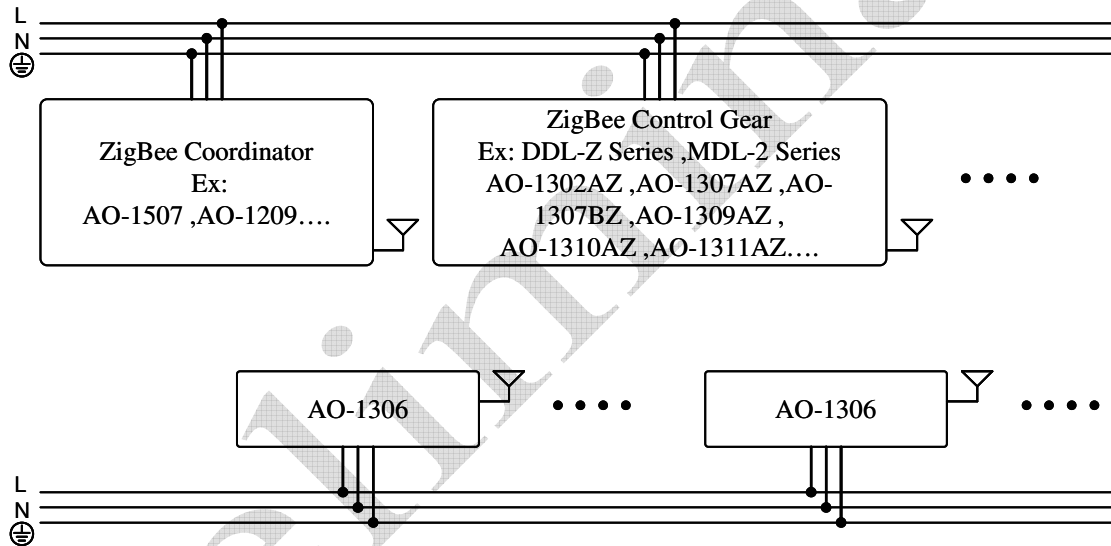


Turn Left



Press Down

Wiring



Dimension

Model Number : AO-1306 Unit : mm

