

PIR Sensor



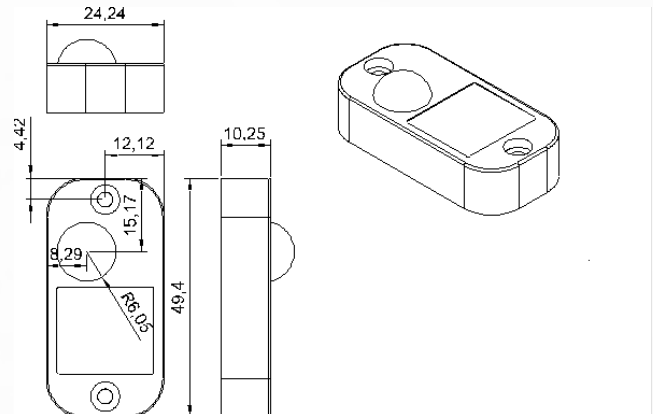
Features

- Single bit output
- Small size makes it easy to conceal
- Compatible with all types of microcontrollers
- 5V operation with 3.5mA current draw

Applications

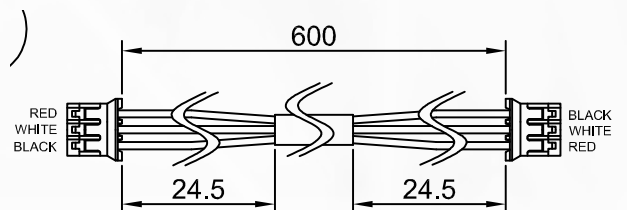
- PIR (Passive Infrared Radiation) sensors are passive devices and they do not emit or radiate any energy or beams.
- The PIR sensor is an electronic ON – OFF switch designed specifically for switching or dimming lighting loads.

Dimensions (Unit: mm)



24.24(W)×49.4(L)×10.25(H)

Wiring



Model List

| Model | Input Power | Operating Temperature | Function |
|---------|-------------|-----------------------|---------------------------|
| AO-1341 | DC 5V | -10 ~ 70°C | PIR Sensor for LED Driver |