

# ZigBee USB Dongle

## Features

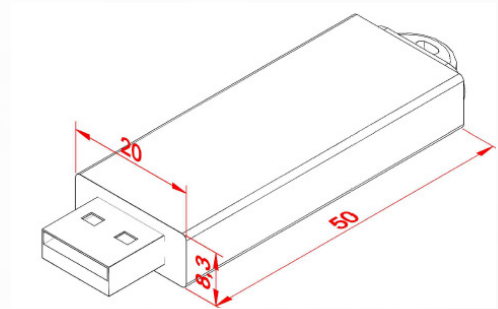


- Provide communication solutions based on ZigBee Pro 2007 Protocol.
- Has built-in AO-1503 ZigBee to UART program and can operate as a coordinator or router.
- Easy to use with built-in 3.3V voltage regulator.
- Equipped with JTAG programming pins for CC debugger.
- has optimized built-in on board antenna with 50 M (LOS) transmitting distance.

## Applications

- Operate as a coordinator, router or repeater in ZigBee networks .
- Operate as monitoring points of ZigBee networks

## Dimensions (Unit: mm)



20.0(W)×50.0(L)×8.3(H)

## Pin Definition

	Pin Description
J1	USB 2.0 connecting interface

## Model List

Model	Input Power	Operating Temperature	Function
AO-1507	DC 5V	-10 ~ 70°C	Wireless USB Dongle