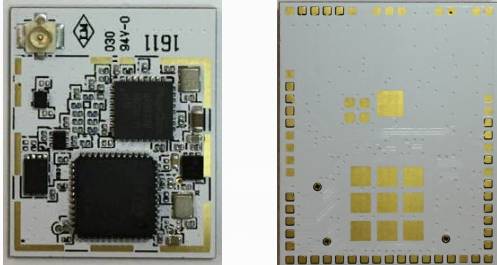


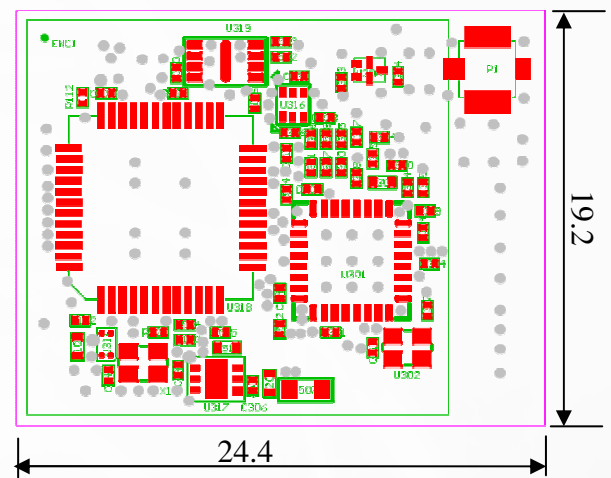
Sub-1G RF Module

Features

- Compliant with IEEE802.15.4g Sub-GHz wireless communication specification
- FSK/MSK/GFSK modulation
- Sleep mode can be controlled with internal clock
- Compact PCB size with external antenna
- On board SAW filter, limit spurious signals per the (ARIB) standard
- High receiver and RSSI dynamic range
- CE/FCC/TELEC certification



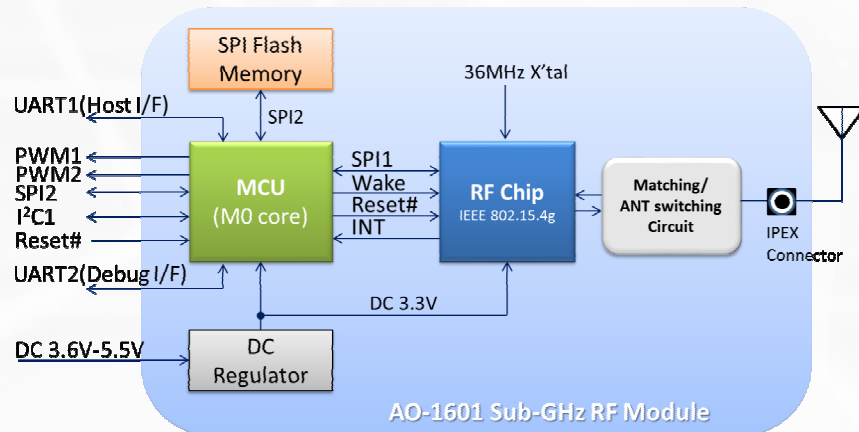
Dimensions (Unit: mm)



Applications

- IEEE 802.15.4g
- Smart Grid
- Home/Building/Factory Automation
- AMR (Automated Meter Reading)
- AMI (Automated Meter Infrastructure)
- Wireless Sensor Network
- PC Peripheral

Block Diagram



Model List

Model	Input Power	Operating Temperature	Function
AO-1601-9B	DC 3.3V±10%	-10 ~ 70°C	900MHz band RF module (without SPI Flash)
AO-1601-9BF	DC 3.3V±10%	-10 ~ 70°C	900MHz band RF module (with SPI Flash)